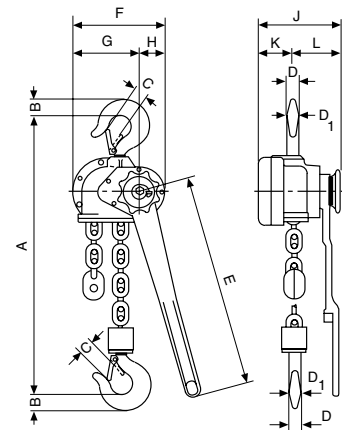


Technical data model C 85

Model	EAN-No. 4025092*	Capacity kg	Number of chain falls	Chain dimensions d x p Inch	Lift with one full lever turn mm	Handle pull at WLL daN	Weight at standard lift (1.5m) kg
PUL-LIFT C 85 750	*050173	750	1	5/8" x 3/8"	115	38	8.7
PUL-LIFT C 85 1500	*050180	1500	1	1" x 1/2"	45	31	17.0
PUL-LIFT C 85 3000	*050197	3000	1	1 1/4" x 5/8"	36	40	22.2
PUL-LIFT C 85 6000	*050203	6000	2	1 1/4" x 5/8"	18	44	38.0
PUL-LIFT C 85 10000	*050326	10000	3	1 1/4" x 5/8"	12	44	67.0

Dimensions model C 85

Model	PUL-LIFT C 85 750	PUL-LIFT C 85 1500	PUL-LIFT C 85 3000	PUL-LIFT C 85 6000	PUL-LIFT C 85 10000
A min., mm	322	389	403	560	785
B, mm	21	27	35	48	61
C, mm	27	30	34	46	54
D, mm	15	20	25	40	40
D1, mm	17	23	25	40	45
E, mm	443	443	570	570	570
F, mm	112	189	197	197	305
G, mm	56	134	142	142	163
H, mm	56	55	55	55	142
J, mm	142	171	179	218	218
K, mm	39	72	76	76	76
L, mm	103	99	103	142	142



Technical data model D 85

Model	EAN-No. 4025092*	Capacity kg	Number of chain falls	Chain dimensions d x p mm	Lift with one full lever turn mm	Handle pull at WLL daN	Weight at standard lift (1.5m) kg
PUL-LIFT D 85 750	*050548	750	1	6x18,5	111	38	8.2
PUL-LIFT D 85 1500	*050555	1500	1	9x27	45	31	16.3
PUL-LIFT D 85 3000	*050562	3000	1	11x31	33	40	19.6
PUL-LIFT D 85 6000	*050579	6000	2	11x31	17	42	32.9
PUL-LIFT D 85 10000	*050784	10000	3	11x31	11	37	60.0

Dimensions model D 85

Model	PUL-LIFT D 85 750	PUL-LIFT D 85 1500	PUL-LIFT D 85 3000	PUL-LIFT D 85 6000	PUL-LIFT D 85 10000
A min., mm	322	389	403	532	805
B, mm	21	27	35	48	61
C, mm	27	30	34	46	54
D, mm	15	20	25	40	40
D1, mm	17	23	25	40	45
E, mm	443	443	570	570	570
F, mm	112	189	197	197	305
G, mm	56	134	142	142	163
H, mm	56	55	55	55	142
J, mm	142	171	179	218	218
K, mm	39	72	76	76	76
L, mm	103	99	103	142	142

! Yale hoists and trolleys are not designed for passenger elevation applications and must not be used for this purpose.